

Description & Features

- Aluminum alloy 6063 boy with heat dissipation
- High quality and high efficiency light guide plate
- Long life driver, up to 50,000 hours
- Protection class: Class 2
- High quality LED chips with LM80
- Lumen efficiency up to 80lm/w
- Low glare
- Long life, L70>50,000 Hours.

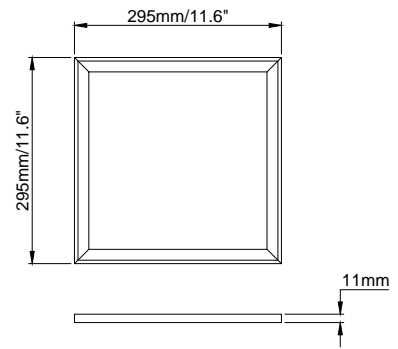
Certificate CE, TUV, ERP, ROHS

Warranty

- 5 Years warranty

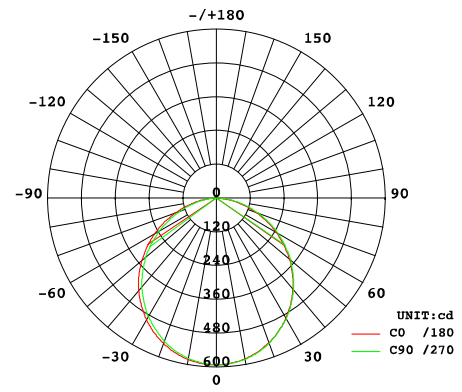
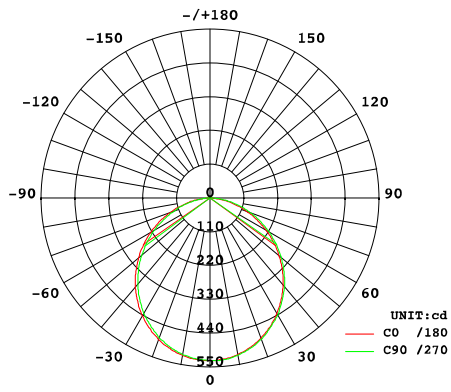
Specifications

Model No.:	PL-PRO-300-20W
Power Consumption:	20W
Input Voltage:	100-240V
Operate Frequency:	50-60Hz
Lumens Output:	1450-1650lm
LED Q'ty:	96pcs
LED Brand	Epistar SMD2835
Color Temperature:	3000K, 4000K, 5000K, 6000K
CRI:	>80
Beam Angle:	120°
IP Rated:	IP40
Power Factor:	>0.95
Total Harmonic Distortion:	<20%
Working Temp.:	-20°C ~ 40°C
Storage Temp.:	-40°C ~ 70°C
Lifespan L70(H):	>50,000 Hours
Cable:	1.0m two-core high quality silicon wire
Drivers:	External
Fixture Weight:	1.4kg



Product	Input Voltage	CCT	Housing color	Accessories	Operation
PL-PRO-300-20W 20W	240V 100-240Vac(Standard)	30K 2700-3200 kelvin 40K 4000-4500 Kelvin 50K 5000-5500 Kelvin 60K 6000-6500 Kelvin	WH White(Standard) SV Silver	Blank for Built-in installation SMF Surface mounting frame SPW Suspended wires	Blank Non-dimming(Standard) TDIM Triac dimming ADIM 1-10V dimming PWN PWN dimming DALI DALI dimming

Light Distribution Curve



24W

Packing information

Item	Q'ty/CTN	Net W.	Gross W.	CTN Size
PL3030-A	5	7kg	13.5kg	420x420x280mm

Warranty Policy

- Standard 5 years after purchase under normal usage