

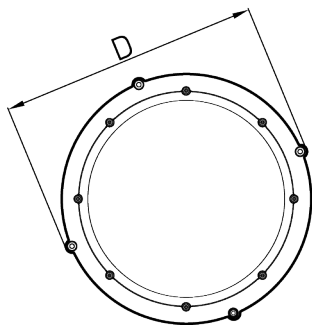
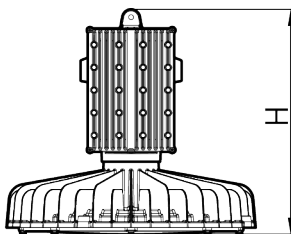


**Applications**

- Warehouses
- Superstores
- Factories

**Certification**

- CE
- UL
- FCC
- PSE
- RCM
- DLC
- KC



**Description**

Amazing efficiency of 130 lm/W  
Excellent Cooling Structure  
Easy Replace & Install

**Specifications**

<b>Model Name</b>	EFL080	
<b>Power Consumption</b>	80W	
<b>Light source</b>	0.2W Mid Power LED Chips (Qty : 384 pcs)	
<b>Correlated Color Temperature</b>	5000K (3000K / 4000K / 5700K available)	
<b>Luminous Flux *</b>	10,400 lm	
<b>Luminous Efficacy *</b>	130 lm/W	
<b>LED Driving Current *</b>	83 mA	
<b>Color Rendering Index</b>	80 Ra	
<b>Light Distribution</b>	120° (Standard) / 80°(Option)	
<b>LED Chip Manufacturer</b>	SAMSUNG / LG	
<b>Input Voltage</b>	100 ~ 240 Vac	100 ~ 277 Vac
<b>Input Current</b>	Max 1.05A (@100Vac)	Max 1.05A (@100Vac)
<b>Power Factor</b>	≥0.9 at Max load	
<b>Frequency</b>	50 / 60 Hz	
<b>Surge Protection</b>	Line-Line 2KV, Line-FG 4KV	
<b>Driver Type</b>	Constant Current (CC)	
<b>Fixture &amp; Driver Manufacturer</b>	KMW INC. / Made in Korea	
<b>Size ( D x H )</b>	Ø12.4 x 10.8 (inch)	Ø316 x 273 (mm)
<b>Weight (Driver included)</b>	10.8 lb	4.9 Kg
<b>Material</b>	<b>Body</b>	Cast Aluminum
	<b>Cover</b>	Polycarbonate 3.0T (Diffuser)
<b>Finish</b>	Anodized	
<b>IP Rating</b>	IP65	
<b>Mounting Option</b>	Ceiling Bracket (Chain / Pipe)	
<b>Operating Temperature</b>	-22°F ~ 140°F	-30°C ~ 60°C
<b>Life Time</b>	50,000 Hours (@77°F / 25°C)	
<b>Warranty</b>	5 Years (12 hours usage per day)	

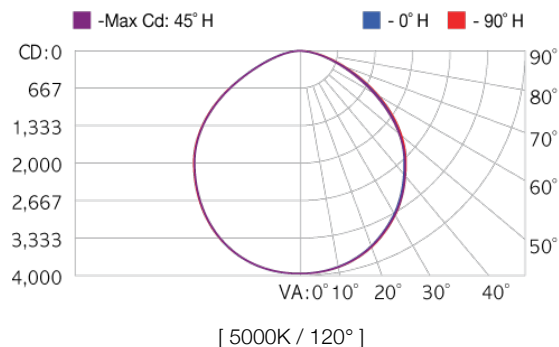
**Option**

<b>Beam Angle</b>	White Reflector (80°)
-------------------	-----------------------

\*Tolerance : ± 5%

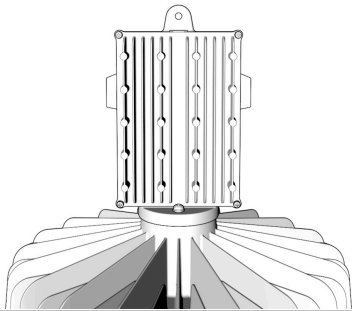
**Photometry**

See photometric .ies files for details.

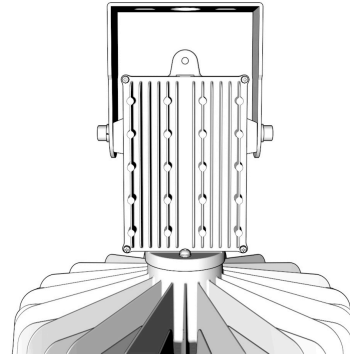


**Mounting Type**

See CAD .dwg files for details.



Chain Bracket (Standard)



Pipe Bracket (Optional)

**Optic (Option)**



Luminous Flux *	11,500 lm	
Luminous Efficacy *	115 lm/W	
Size ( D x H )	Ø15 x 16.6 (inch)	Ø380 x 423 (mm)
Weight (Driver included)	12.8 lb	5.8 Kg