

# MAN MAHA-NEO



## High Luminous Efficacy 130 lm/W

- Replacement for 1500W HID Flood light
- Outstanding cooling technology and durability
- 1.5kW HPS alternative lighting
- Built-in surge protection device



IP 66

## Application

Ports, Airport aprons, Container terminals, Sporting facilities, Parking lots

## Specifications

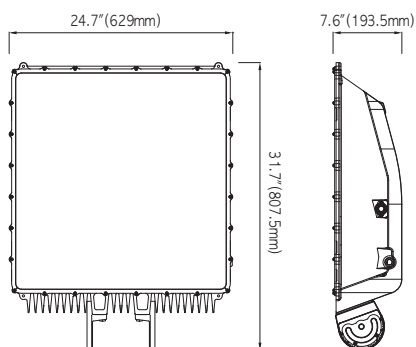
\* Tolerance : ± 5%

Model	Power	* Luminous Efficacy	* Luminous Flux	Color Temperature	CRI	Weight	Input Voltage	Operation Temperature
MAN600	600W	130lm/W	78,000 lm	5000K (3000K, 4000K available)	80 Ra	27 kg / 59.5 lb	AC200~277V	-30°C~55°C -22°F~131°F

Body | Cast Aluminum  
Cover | Tempered Glass 4T (Clear)  
Finish | Powder Coating

Mounting Option | Swivel Bracket  
Light Distribution | Asymmetric Wide  
Control System | Wireless  
more details of GeSS on p.64

## Dimensions



## Photometry

